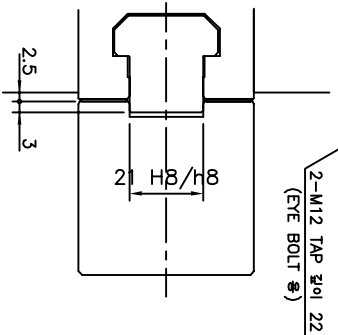


SPECIFICATIONS	
CHUCK TYPE	CGH-12 <sup>2</sup>
CYLINDER TYPE	YSH-15 <sup>2</sup>
PISTON STROKE	24
JAW STROKE (DIA.)	MAX 10.2 mm
MAX. OPERATING PRESSURE	MAX 19 kg/cm <sup>2</sup>
MAXIMUM DRAW BAR PULL	5,610 (55KN) kgf
CLAMPING FORCE	15,000 (145KN) kgf
MAX. R.P.M	3,000 r.p.m
WEIGHT	55 kg
	GD <sup>2</sup>



SCALE	PROJECTION	ITEM NO.	PART NO.
1:1		CGH-12	1GH12
		GREAT BORE POWER CHUCK ASS'Y	

**SEODAM**  
 서울기계공업주식회사  
 SEODAM MACHINERY INDUSTRY CO.,LTD.