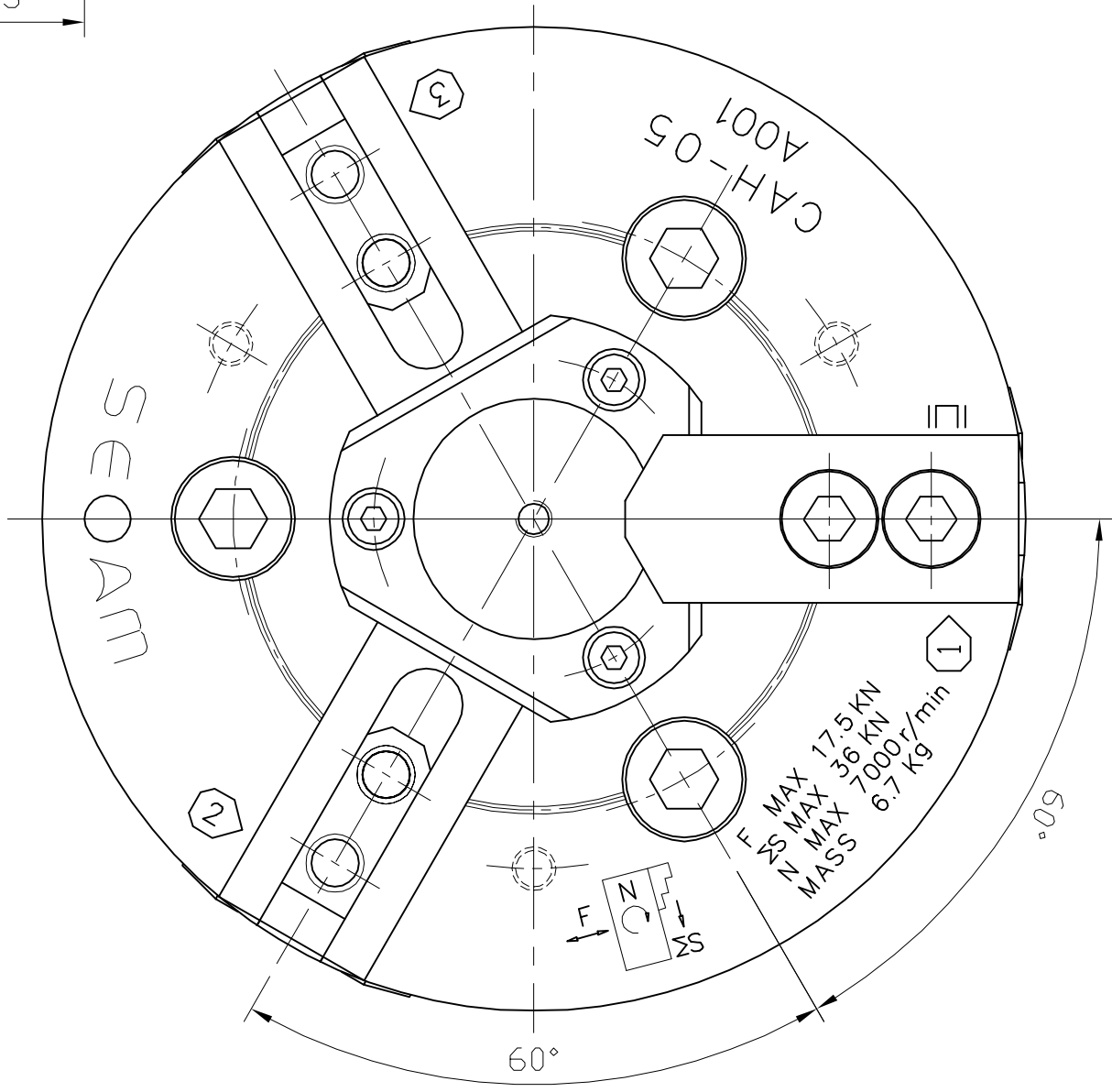


SPECIFICATIONS	
CHUCK TYPE	CAH-05
CYLINDER TYPE	YAH-05
PISTON STROKE	10 mm
JAW STROKE (DIA.)	MAX. 5.4 mm
MAX. OPERATING PRESSURE (YAH-5")	MAX. 35 kgf/cm <sup>2</sup>
MAX. DRAW BAR PULL	1,784(17.5KN) kgf
CLAMPING FORCE (MAX)	3,671(36KN) kgf
MAX. R.P.M	7000 r.p.m.
WEIGHT	6.7 kg
GD <sup>2</sup>	0.07 kgf.m <sup>2</sup>

SCALE		PROJECTION	
1:1			
ITEM NO.	CAH-05	PART NAME	BIG HOLLOW CHUCK ASS'Y
PART NO.	1AH05	PART NO.	1AH05



**SEOAM**  
서암기계공업주식회사  
SEOAM MACHINERY INDUSTRY CO.,LTD.